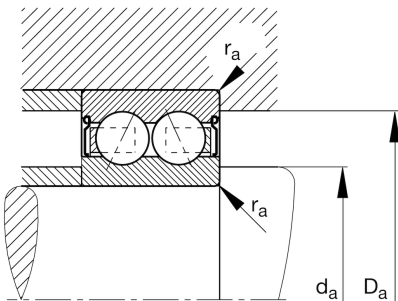
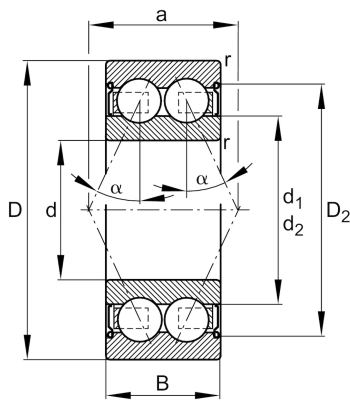


**FAG****3201-BB-2Z-TVH**

Angular contact ball bearing

Schaeffler ID:  
0214727340000Angular contact ball bearing 32..-B-2Z-  
TVH, double row, shields, plastic cage

## Technical information

**Main Dimensions & Performance Data**

d	12 mm	Bore diameter
D	32 mm	Outside diameter
B	15.9 mm	Width
$C_r$	10,500 N	Basic dynamic load rating, radial
$C_{0r}$	5,800 N	Basic static load rating, radial
$C_{ur}$	300 N	Fatigue load limit, radial
$n_G$	18,400 1/min	Limiting speed
$n_{gr}$	20,000 1/min	Reference speed
	0.06 kg	Weight

**Mounting dimensions**

$d_{a \min}$	16.2 mm	Minimum diameter shaft shoulder
$D_{a \max}$	27.8 mm	Maximum diameter of housing shoulder
$r_{a \max}$	0.6 mm	Maximum fillet radius

**Dimensions**

$r_{\min}$	0.6 mm	Minimum chamfer dimension
$D_2$	27.8 mm	Caliber diameter outer ring
$d_2$	17.2 mm	Caliber diameter inner ring
a	16.5 mm	Distance between the apexes of the pressure cones
$\alpha$	25 °	Contact angle

**Temperature range**

$T_{\min}$	-20 °C	Operating temperature min.
$T_{\max}$	120 °C	Operating temperature max.